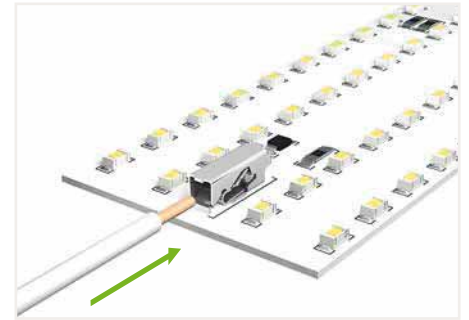


SMD PCB Terminal Block ▶ 2065 Series
PUSH WIRE® ▶ Actuation type: Push-in ▶ 0.75 mm²

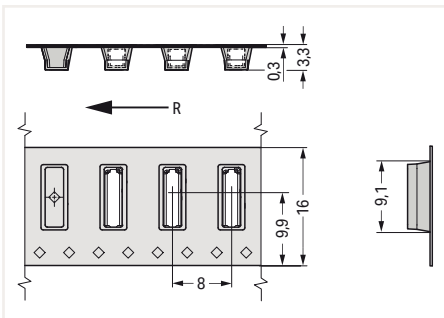
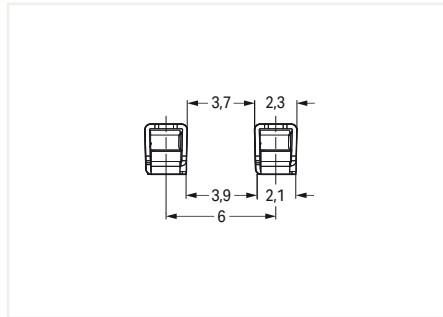
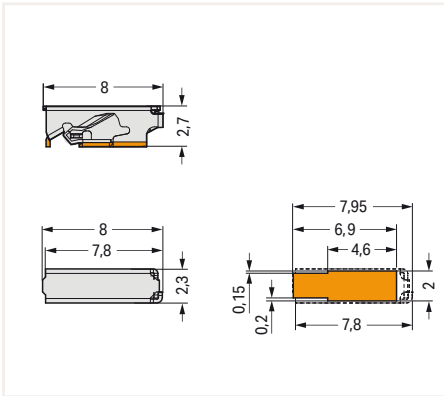
[Заказ на сайте
www.wgspb.ru](http://www.wgspb.ru)



PUSH WIRE® version without push-button: Even more space savings when using exclusively solid conductors.

3

Pole No.	Item No.	PU (SPU)
1	2065-101/998-403	31800 (2650)



R = Feed direction

SMD PCB Terminal Block ▶ 2065 Series

PUSH WIRE® ▶ Actuation type: Push-in ▶ 0.75 mm²

Заказ на сайте
www.wgspb.ru



- SMD PCB terminal block with PUSH WIRE® connection technology
- Push-in termination of solid conductors
- Just 2.7 mm tall
- Available in tape-and-reel packaging for automated assembly

3

Electrical Data			
Pin spacing	6 mm (0.236 inch)		
Ratings per	IEC/EN 60664-1		
Overvoltage category	III	III	II
Pollution degree	3	2	2
Rated voltage	250 V	320 V	630 V
Rated impulse voltage	4 kV	4 kV	4 kV
Rated current	9 A	9 A	9 A
Approvals per	UL 1977		
Rated voltage	600 V		
Rated current	9 A		
Connection Data			
Connection technology	PUSH WIRE®		
Strip length	7.5 ... 9.5 mm / 0.3 ... 0.37 inch		
Conductor entry angle to the PCB	0°		
Solid conductor	0.2 ... 0.75 mm ² / 24 ... 18 AWG		
Material Data			
Clamping spring material	Chrome nickel spring steel (CrNi)		
Contact material	Copper alloy		
Contact plating	Tin-plated		
Mechanical Data			
Reel diameter of tape-and-reel packaging	330 mm		
Environmental Requirements			
Limit temperature range	-60 ... +120 °C		

The layout must meet the requirements of the insulation coordination standard EN/IEC 60664-1 and applicable end product standards.

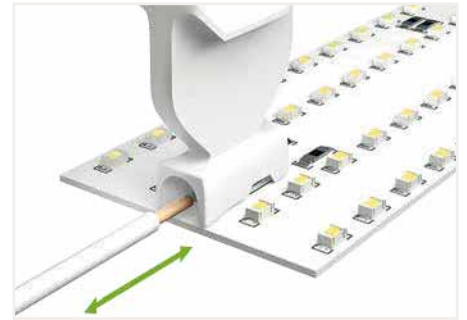
NOTE: Terminal block without insulation housing! Protection against accidental contact must be provided at voltages higher than low voltages (e.g., SELV/PELV) for the relevant application.

Additional information, see "Technical Section"

Approvals and corresponding ratings, visit www.wago.com

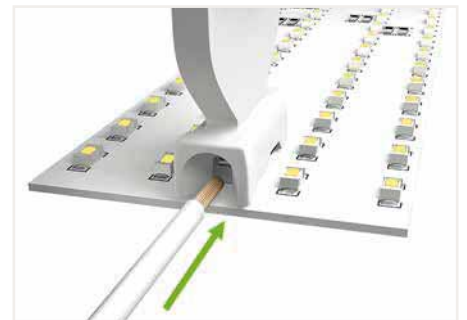
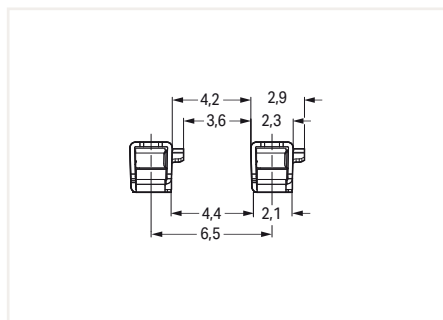
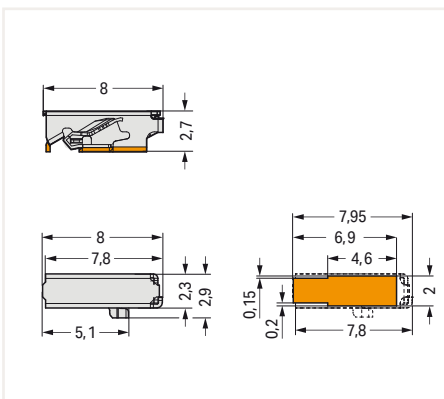
SMD PCB Terminal Block ▶ 2065 Series
Push-in CAGE CLAMP® ▶ Actuation type: Push-button ▶ 0.75 mm²

[Заказ на сайте
www.wgspb.ru](http://www.wgspb.ru)

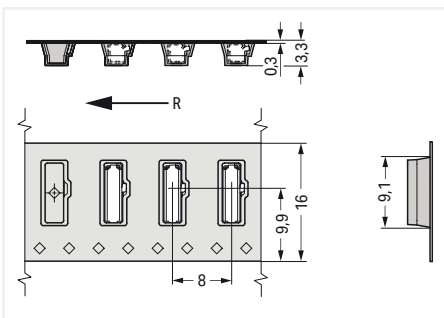


Push-in CAGE CLAMP® version: Insert fine-stranded conductors – and remove all conductors – via operating tool. Solid conductors can be terminated by simply pushing them in.

Pole No.	Item No.	PU (SPU)
1	2065-100/998-403	31800 (2650)



The operating tools funneled conductor entry accurately guides the conductor into the terminal block.



R = Feed direction

3

SMD PCB Terminal Block ▶ 2065 Series

Push-in CAGE CLAMP® ▶ Actuation type: Push-button ▶ 0.75 mm²

Заказ на сайте
www.wgspb.ru



- SMD PCB terminal block with Push-in CAGE CLAMP® connection technology and push-button
- Push-in termination of solid conductors Convenient termination/removal of fine-stranded conductors via operating tool
- Just 2.7 mm tall
- Available in tape-and-reel packaging for automated assembly
- PUSH WIRE® version without push-button available (only for solid conductors)

Electrical Data			
Pin spacing	6.5 mm (0.256 inch)		
Ratings per	IEC/EN 60664-1		
Overvoltage category	III	III	II
Pollution degree	3	2	2
Rated voltage	320 V	320 V	630 V
Rated impulse voltage	4 kV	4 kV	4 kV
Rated current	9 A	9 A	9 A
Approvals per	UL 1977		
Rated voltage	600 V		
Rated current	9 A		
Connection Data			
Connection technology	Push-in CAGE CLAMP®		
Strip length	7.5 ... 9.5 mm / 0.3 ... 0.37 inch		
Conductor entry angle to the PCB	0°		
Solid conductor	0.2 ... 0.75 mm ² / 24 ... 18 AWG		
Fine-stranded conductor	0.2 ... 0.75 mm ² / 24 ... 18 AWG		
Material Data			
Clamping spring material	Chrome nickel spring steel (CrNi)		
Contact material	Copper alloy		
Contact plating	Tin-plated		
Mechanical Data			
Reel diameter of tape-and-reel packaging	330 mm		
Environmental Requirements			
Limit temperature range	-60 ... +120 °C		

The layout must meet the requirements of the insulation coordination standard EN/IEC 60664-1 and applicable end product standards.

NOTE: Terminal block without insulation housing! Protection against accidental contact must be provided at voltages higher than low voltages (e.g., SELV/PELV) for the relevant application.

Tools Page 323

Additional information, see "Technical Section"

Approvals and corresponding ratings, visit www.wago.com