

# Modular PCB Terminal Blocks and Strips with Angled Push-Buttons, 2.5 mm<sup>2</sup> 5/5.08 mm, 7.5/7.62 mm, 10/10.16 mm Pin Spacing 256 Series



- Modular terminal blocks and terminal strips with push-button actuated CAGE CLAMP®
- New version with angled push-buttons for easy top-of-unit actuation
- Set to metric or inch pin spacing by compressing terminal strips together or pulling them apart
- Ideal for in-the-field wiring thanks to simplified push-button actuation
- Convenient, tool-free operation

## Technical data:

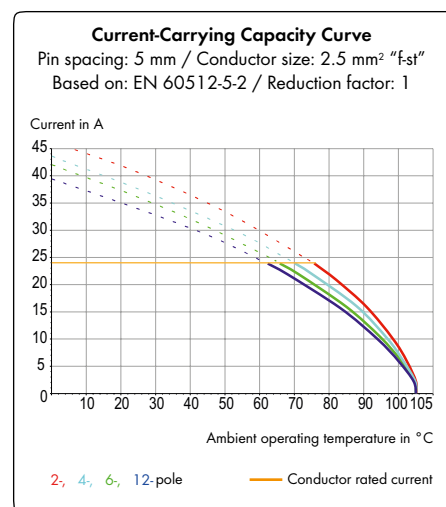
Pin Spacing	5/5.08 mm 0.2 in			7.5/7.62 mm 0.3 in			10/10.16 mm 0.4 in		
	IEC/EN 60664-1			IEC/EN 60664-1			IEC/EN 60664-1		
Ratings per									
Overtoltage category	III	III	II	III	III	II	III	III	II
Pollution degree	3	2	2	3	2	2	3	2	2
Rated voltage	250 V	320 V	630 V	320 V	320 V	630 V	500 V	630 V	1000 V
Rated surge voltage	4 kV	4 kV	4 kV	4 kV	4 kV	4 kV	6 kV	6 kV	6 kV
Nominal current	24 A	24 A	24 A	24 A	24 A	24 A	24 A	24 A	24 A
Approvals per	UL/CSA			UL/CSA			UL/CSA		
Use group UL 1059	B	C	D	B	C	D	B	C	D
Rated voltage	300 V	-	300 V	300 V	-	300 V	300 V	-	300 V
Nominal current UL	15 A	-	10 A	15 A	-	10 A	15 A	-	10 A
Nominal current CSA	15 A	-	10 A	15 A	-	10 A	15 A	-	10 A

## Conductor and solder pin data:

Connection technology	CAGE CLAMP®
Conductor size: solid	0.08 - 2.5 mm <sup>2</sup>
Conductor size: fine-stranded	0.08 - 2.5 mm <sup>2</sup>
Conductor size: fine-stranded	0.25 - 1.5 mm <sup>2</sup> (with insulated ferrule)
Conductor size: fine-stranded	0.25 - 1.5 mm <sup>2</sup> (with uninsulated ferrule)
AWG	28 - 12 (12: THHN, THWN)
Strip length	5 - 6 mm / 0.20 - 0.24 in
Conductor entry	45° to PCB
Solder pin: length/width	4 mm / 0.7 x 0.7 mm
Solder pin: drilled hole diameter	1.1 <sup>+0.1</sup> mm

## Material data:

Material group	I
Insulation material	Polyamide 6.6 (PA 6.6)
Flammability rating per UL 94	V0
Lower/Upper limit temperature	-60 °C / +105 °C
Clamping spring material	Chrome-nickel spring steel (CrNi)
Contact material	Electrolytic copper (E <sub>Cu</sub> )
Contact plating	Tin-plated



## 256 Series accessories:

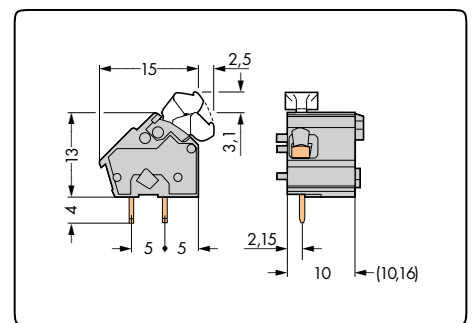
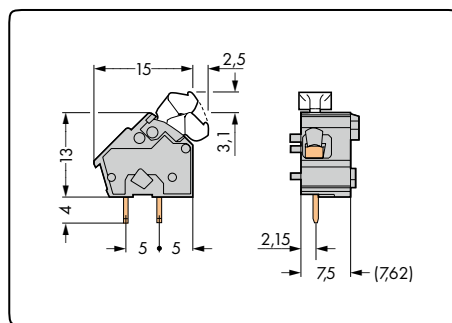
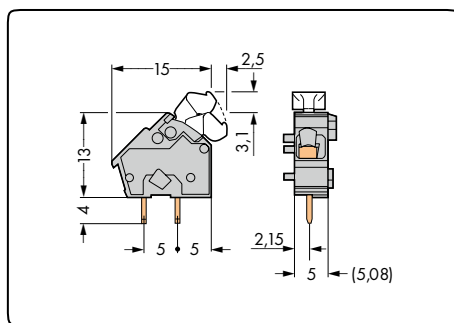
Volume 2/Page:

Marking accessories	540 - 543
Operating Tools	526 - 528
Commoning strips	67 - 69
Test plug adapter	196

# Modular Terminal Blocks with Angled Push-Buttons, 2.5 mm<sup>2</sup>

CAGE CLAMP®

Pin spacing: 5/5.08 mm / 0.2 in		Pin spacing: 7.5/7.62 mm / 0.3 in		Pin spacing: 10/10.16 mm / 0.4 in	
0.08 - 2.5 mm <sup>2</sup> 320 V/4 kV/2 24 A	AWG 28 - 12 300 V/10 A	0.08 - 2.5 mm <sup>2</sup> 320 V/4 kV/2 24 A	AWG 28 - 12 300 V/10 A	0.08 - 2.5 mm <sup>2</sup> 630 V/6 kV/2 24 A	AWG 28 - 12 300 V/10 A



Color	Item No.	Pack. Unit	Color	Item No.	Pack. Unit	Color	Item No.	Pack. Unit
<b>Modular terminal block with angled push-button, 2 solder pins/pole</b>			<b>Modular terminal block with angled push-button, 2 solder pins/pole</b>			<b>Modular terminal block with angled push-button, 2 solder pins/pole</b>		
gray	256-461	600 (6 x 100)	gray	256-561	400 (4 x 100)	gray	256-661	300 (3 x 100)
red	256-840	600 (6 x 100)	red	256-850	400 (4 x 100)	red	256-860	300 (3 x 100)
dark gray	256-842	600 (6 x 100)	dark gray	256-852	400 (4 x 100)	dark gray	256-862	300 (3 x 100)
light gray	256-843	600 (6 x 100)	light gray	256-853	400 (4 x 100)	light gray	256-863	300 (3 x 100)
blue	256-844	600 (6 x 100)	blue	256-854	400 (4 x 100)	blue	256-864	300 (3 x 100)
orange	256-846	600 (6 x 100)	orange	256-856	400 (4 x 100)	orange	256-866	300 (3 x 100)
light green	256-847	600 (6 x 100)	light green	256-857	400 (4 x 100)	light green	256-867	300 (3 x 100)

<b>End plates for 256 Series</b>		Color	Item No.	Pack. Unit
snap-on type, 1 mm/ 0.039 in thick		gray	256-100	100
		dark gray	256-200	100
		light gray	256-300	100
		blue	256-400	100
		red	256-500	100
		orange	256-600	100
		light green	256-700	100
		black	256-800	100

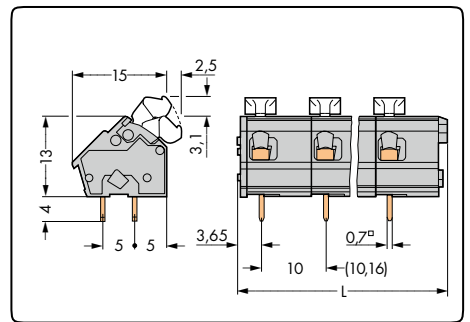
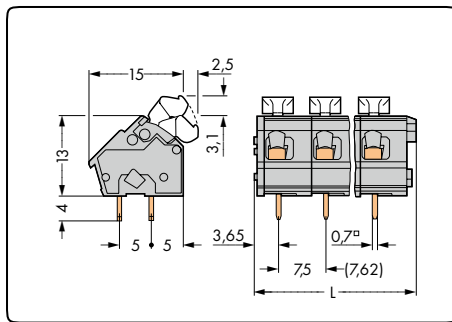
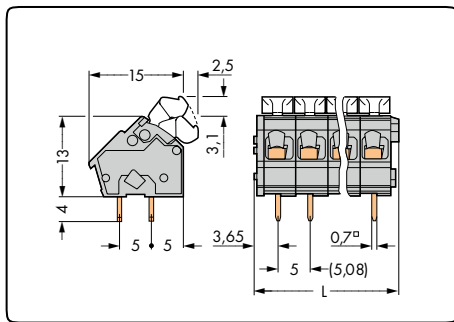
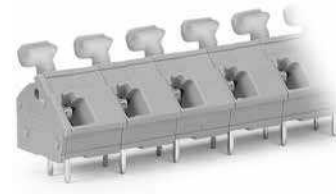
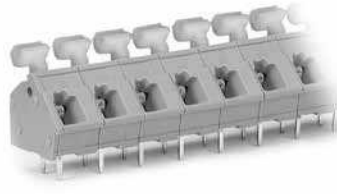
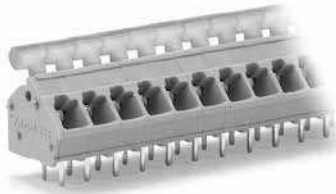


For other colors, please contact factory.

WAGO®

# PCB Terminal Strips with Angled Push-Buttons, 2.5 mm<sup>2</sup>

Pin spacing: 5/5.08 mm / 0.2 in		Pin spacing: 7.5/7.62 mm / 0.3 in		Pin spacing: 10/10.16 mm / 0.4 in	
0.08 - 2.5 mm <sup>2</sup>	AWG 28 - 12	0.08 - 2.5 mm <sup>2</sup>	AWG 28 - 12	0.08 - 2.5 mm <sup>2</sup>	AWG 28 - 12
320 V/4 kV/2 24 A	300 V/10 A	320 V/4 kV/2 24 A	300 V/10 A	630 V/6 kV/2 24 A	300 V/10 A



L = (pole no. x pin spacing) + 2.9 mm

Pole No.	Item No.	Pack. Unit	Pole No.	Item No.	Pack. Unit	Pole No.	Item No.	Pack. Unit
Terminal strip with angled push-buttons, 2 solder pins/pole, gray			Terminal strip with angled push-buttons, 2 solder pins/pole, gray			Terminal strip with angled push-buttons, 2 solder pins/pole, gray		
2	256-402/334-000	400 (4 x 100)	2	256-502/334-000	280 (4 x 70)	2	256-602/334-000	200 (4 x 50)
3	256-403/334-000	280 (4 x 70)	3	256-503/334-000	180 (4 x 45)	3	256-603/334-000	140 (4 x 35)
4	256-404/334-000	200 (4 x 50)	4	256-504/334-000	140 (4 x 35)	4	256-604/334-000	100 (4 x 25)
5	256-405/334-000	160 (4 x 40)	5	256-505/334-000	120 (4 x 30)	5	256-605/334-000	80 (4 x 20)
6	256-406/334-000	140 (4 x 35)	6	256-506/334-000	100 (4 x 25)	6	256-606/334-000	60 (4 x 15)
7	256-407/334-000	120 (4 x 30)	7	256-507/334-000	80 (4 x 20)	7	256-607/334-000	60 (4 x 15)
8	256-408/334-000	100 (4 x 25)	8	256-508/334-000	60 (4 x 15)	8	256-608/334-000	60 (4 x 15)
9	256-409/334-000	100 (4 x 25)	9	256-509/334-000	60 (4 x 15)	9	256-609/334-000	40 (4 x 10)
10	256-410/334-000	80 (4 x 20)	10	256-510/334-000	60 (4 x 15)	10	256-610/334-000	40 (4 x 10)
12	256-412/334-000	60 (4 x 15)	12	256-512/334-000	40 (4 x 10)	12	256-612/334-000	40 (4 x 10)
16	256-416/334-000	60 (4 x 15)	16	256-516/334-000	40 (4 x 10)	16	256-616/334-000	20 (4 x 5)
24	256-424/334-000	40 (4 x 10)	24	256-524/334-000	20 (4 x 5)	24	256-624/334-000	20 (4 x 5)
36	256-436/334-000	20 (4 x 5)						
48	256-448/334-000	20 (4 x 5)						

Item no. suffixes for colored terminal strips (production and prices depend on quantity required):

● red	...../000-005	<b>Ordering example:</b> Terminal strip, 5/5.08 mm pin spacing 8-pole, orange: <b>256-408/334-012</b>
● blue	...../000-006	
● dark gray	...../000-008	
○ light gray	...../000-009	
● orange	...../000-012	
● light green	...../000-017	

Please contact factory for other lengths, colors, mixed-color terminal strips, or direct marking.