

PCB Terminal Block ▶ 2606 Series

Push-in CAGE CLAMP® ▶ Actuation type: Lever ▶ 10 mm² ▶ Terminal strip ▶ Pin spacing: 7.5 mm (0.295 inch) ▶ Color: gray

Заказ на сайте
www.wago.ru

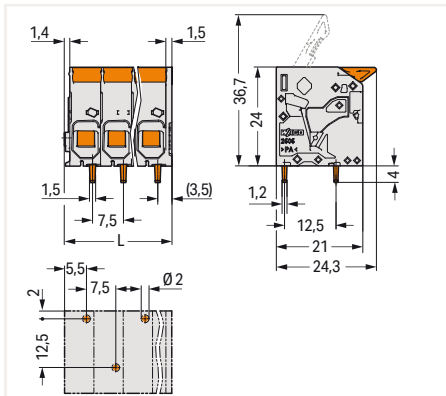
Conductor entry angle to the PCB: 0°

Conductor entry angle to the PCB: 90°

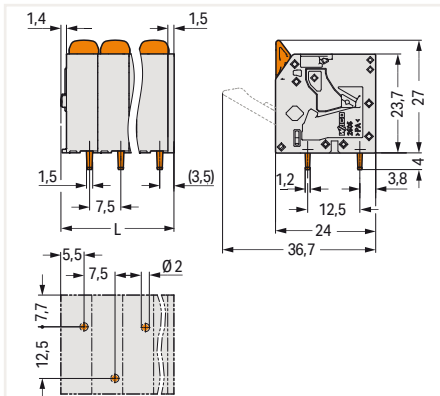


Pole No.	Item No.	PU
2	2606-1102/020-000	120
3	2606-1103/020-000	80
4	2606-1104/020-000	60
5	2606-1105/020-000	50
6	2606-1106/020-000	40
7	2606-1107/020-000	35
8	2606-1108/020-000	30
9	2606-1109/020-000	25
10	2606-1110/020-000	25
11	2606-1111/020-000	25
12	2606-1112/020-000	25

Pole No.	Item No.	PU
2	2606-3102/020-000	120
3	2606-3103/020-000	80
4	2606-3104/020-000	60
5	2606-3105/020-000	50
6	2606-3106/020-000	40
7	2606-3107/020-000	35
8	2606-3108/020-000	30
9	2606-3109/020-000	25
10	2606-3110/020-000	25
11	2606-3111/020-000	25
12	2606-3112/020-000	25



L = (pole no. - 1) x pin spacing + 10.35 mm



L = (pole no. - 1) x pin spacing + 10.35 mm

PU = Packaging Unit; SPU = Subpackaging Unit; Dimensions in mm

Other variants can be requested via the WAGO sales department or, if necessary, configured at <https://configurator.wago.com/>:

- Other pole numbers
- Direct marking
- Other colors