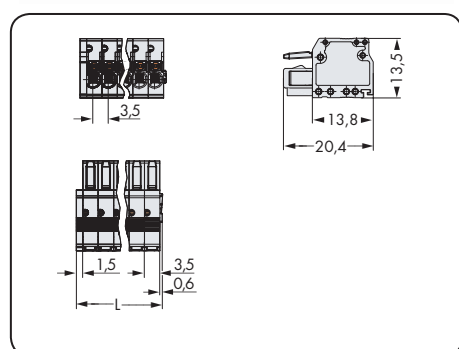
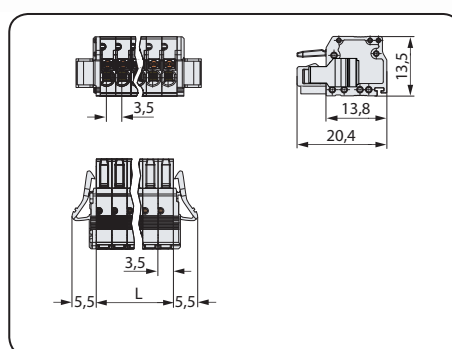


Female Connectors with Push-Buttons MCS-MINI

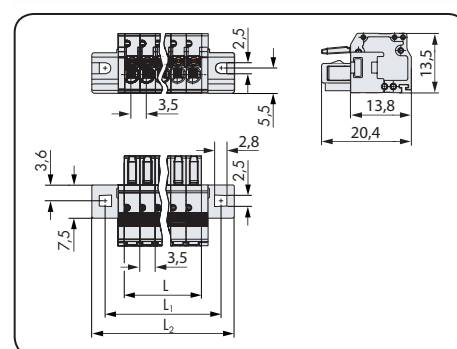
Pin spacing 3.5 mm / 0.138 in		With locking levers Pin spacing 3.5 mm / 0.138 in		With fixing flanges Pin spacing 3.5 mm / 0.138 in	
0.2 - 1.5 mm ²	AWG 24 - 16	0.2 - 1.5 mm ²	AWG 24 - 16	0.2 - 1.5 mm ²	AWG 24 - 16
160 V/2.5 kV/2 10 A	300 V/10 A	160 V/2.5 kV/2 10 A	300 V/10 A	160 V/2.5 kV/2 10 A	300 V/10 A



$L = (\text{pole no.} \times \text{pin spacing}) + 2.1 \text{ mm}$



$L = \text{pole no.} \times \text{pin spacing}$



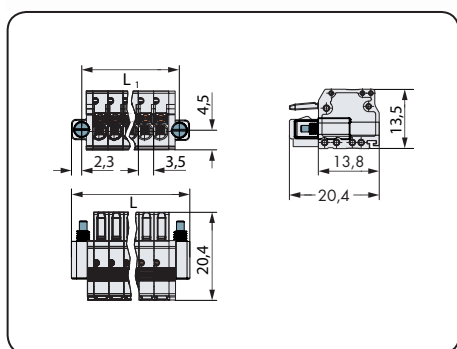
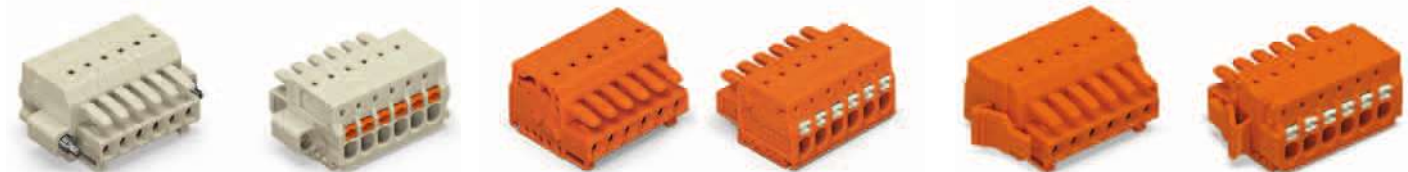
$L = \text{pole no.} \times \text{pin spacing}$
 $L_1 = (\text{pole no.} \times \text{pin spacing}) + 8.8 \text{ mm}$
 $L_2 = (\text{pole no.} \times \text{pin spacing}) + 14.8 \text{ mm}$

Pole No.	Item No.	Pack. Unit	Pole No.	Item No.	Pack. Unit	Pole No.	Item No.	Pack. Unit
Female connector with push-buttons, light gray			Female connector with push-buttons and locking levers, light gray			Female connector with push-buttons and fixing flanges, light gray		
2	2734-102	200	2	2734-102/037-000	100	2	2734-102/031-000	100
3	2734-103	200	3	2734-103/037-000	100	3	2734-103/031-000	100
4	2734-104	100	4	2734-104/037-000	100	4	2734-104/031-000	50
5	2734-105	100	5	2734-105/037-000	50	5	2734-105/031-000	50
6	2734-106	100	6	2734-106/037-000	50	6	2734-106/031-000	50
7	2734-107	100	7	2734-107/037-000	50	7	2734-107/031-000	50
8	2734-108	50	8	2734-108/037-000	50	8	2734-108/031-000	50
9	2734-109	50	9	2734-109/037-000	50	9	2734-109/031-000	50
10	2734-110	50	10	2734-110/037-000	50	10	2734-110/031-000	50
11	2734-111	50	11	2734-111/037-000	50	11	2734-111/031-000	25
12	2734-112	50	12	2734-112/037-000	50	12	2734-112/031-000	25
13	2734-113	50	13	2734-113/037-000	25	13	2734-113/031-000	25
14	2734-114	50	14	2734-114/037-000	25	14	2734-114/031-000	25
16	2734-116	25	16	2734-116/037-000	25	16	2734-116/031-000	25
18	2734-118	25	18	2734-118/037-000	25	18	2734-118/031-000	25
20	2734-120	25	20	2734-120/037-000	25	20	2734-120/031-000	25
24	2734-124	25	24	2734-124/037-000	10	24	2734-124/031-000	10
For cutout dimensions, see page 280, table 2.								

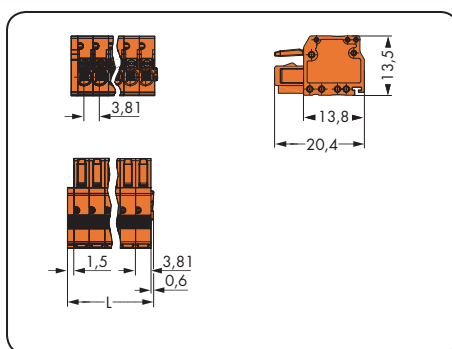
4 Female Connectors with Push-Buttons MCS-MINI

250

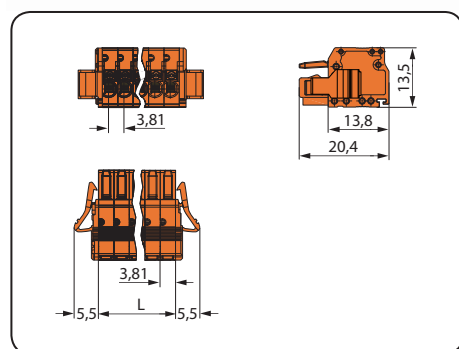
With screw flanges Pin spacing 3.5 mm / 0.138 in		Pin spacing 3.81 mm / 0.15 in		With locking levers Pin spacing 3.81 mm / 0.15 in	
0.2 - 1.5 mm ²	AWG 24 - 16	0.2 - 1.5 mm ²	AWG 24 - 16	0.2 - 1.5 mm ²	AWG 24 - 16
160 V/2.5 kV/2 10 A	300 V/10 A	160 V/2.5 kV/2 10 A	300 V/10 A	160 V/2.5 kV/2 10 A	300 V/10 A



L = (pole no. x pin spacing) + 9.5 mm
L₁ = (pole no. x pin spacing) + 4.9 mm



L = (pole no. x pin spacing) + 2.1 mm



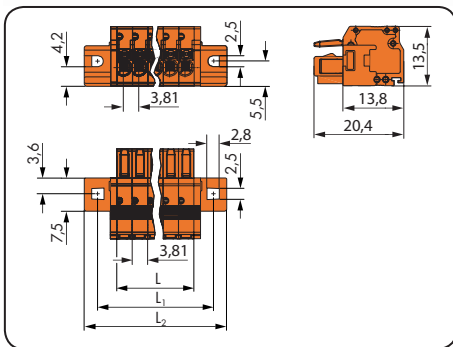
L = pole no. x pin spacing

Pole No.	Item No.	Pack. Unit	Pole No.	Item No.	Pack. Unit	Pole No.	Item No.	Pack. Unit
Female connector with push-buttons and screw flanges, light gray			Female connector with push-buttons, orange			Female connector with push-buttons and locking levers, orange		
2	2734-102/107-000	100	2	2734-202	200	2	2734-202/037-000	100
3	2734-103/107-000	100	3	2734-203	200	3	2734-203/037-000	100
4	2734-104/107-000	100	4	2734-204	100	4	2734-204/037-000	100
5	2734-105/107-000	50	5	2734-205	100	5	2734-205/037-000	50
6	2734-106/107-000	50	6	2734-206	100	6	2734-206/037-000	50
7	2734-107/107-000	50						
8	2734-108/107-000	50	8	2734-208	50	8	2734-208/037-000	50
9	2734-109/107-000	50	9	2734-209	50	9	2734-209/037-000	50
10	2734-110/107-000	50	10	2734-210	50	10	2734-210/037-000	50
11	2734-111/107-000	50						
12	2734-112/107-000	50	12	2734-212	25	12	2734-212/037-000	25
13	2734-113/107-000	25						
14	2734-114/107-000	25	14	2734-214	25	14	2734-214/037-000	25
16	2734-116/107-000	25	16	2734-216	25	16	2734-216/037-000	25
18	2734-118/107-000	25	18	2734-218	25	18	2734-218/037-000	25
20	2734-120/107-000	25	19	2734-219	25	19	2734-219/037-000	25
24	2734-124/107-000	10	20	2734-220	25	20	2734-220/037-000	25

Female Connectors with Push-Buttons MCS-MINI

With fixing flanges
Pin spacing 3.81 mm / 0.15 in

0.2 - 1.5 mm ²	AWG 24 - 16
160 V/2.5 kV/2 10 A	300 V/10 A



L = pole no. x pin spacing
L₁ = (pole no. x pin spacing) + 8.8 mm
L₂ = (pole no. x pin spacing) + 14.8 mm

Pole No.	Item No.	Pack. Unit
Female connector with push-buttons and fixing flanges, orange		
2	2734-202/031-000	100
3	2734-203/031-000	100
4	2734-204/031-000	50
5	2734-205/031-000	50
6	2734-206/031-000	50
8	2734-208/031-000	50
9	2734-209/031-000	50
10	2734-210/031-000	50
12	2734-212/031-000	25
14	2734-214/031-000	25
16	2734-216/031-000	25
18	2734-218/031-000	25
19	2734-219/031-000	25
20	2734-220/031-000	25
For cutout dimensions, see page 280, table 2.		