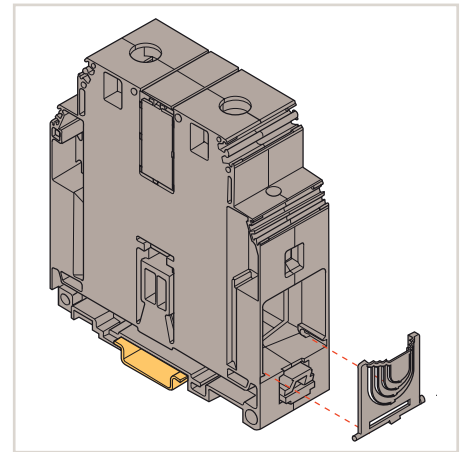


Through terminal block, with end plate and 10 mm² (6 AWG) control cable connection

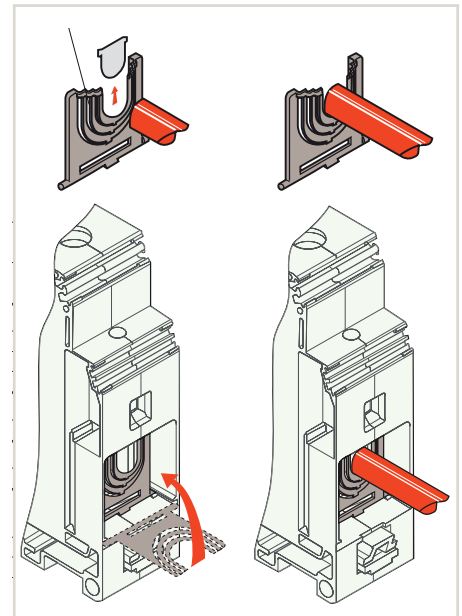
Color	Item No.	Pack. Unit
○ light gray	400-499/499-704	10
● blue	400-499/499-706	10

IEC/EN 60947-7-1
1000 V
8 kV
415 A
57 A
240 mm ² /B14
10 mm ² /B14
UL/CSA
600 V
8 kV
400 A
70 A
500 kcmil
6 AWG
50 ... 300 mm ² / 0 AWG ... 600 kcmil
35 ... 240 mm ² / 2 AWG ... 500 kcmil
0.5 ... 16 mm ²
0.5 ... 10 mm / 18 ... 6 AWG
35 mm / 1.37 inch
12 mm / 0.47 inch
15 Nm / 124 ... 260 lb-in
1.2 ... 1.4 Nm / 10.6 ... 12.3 lb-in
T-wrench (8 mm / 0.39 inch)
Screwdriver, (3.5 x 0.5) mm blade
36 mm / 1.417 inch
IP20
Polyamide 66 (PA 66)

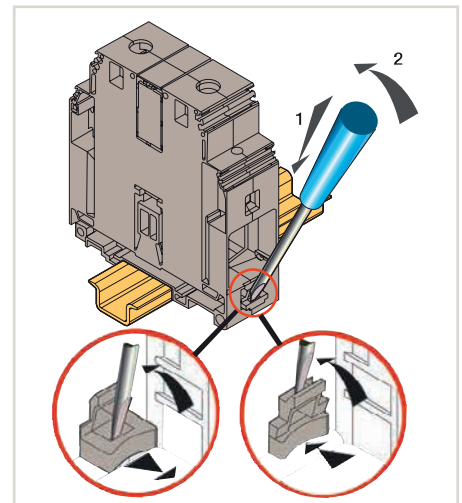
	Item No.	Pack. Unit
2-way	400-406/406-126	5
3-way	400-406/406-223	5
light gray	400-499/499-787	1
gray	249-117	50(25)



Adjust the cutout to the cable diameter.



Operate mounting system via screwdriver – mounting foot locks in open or closed position.



Open and close.