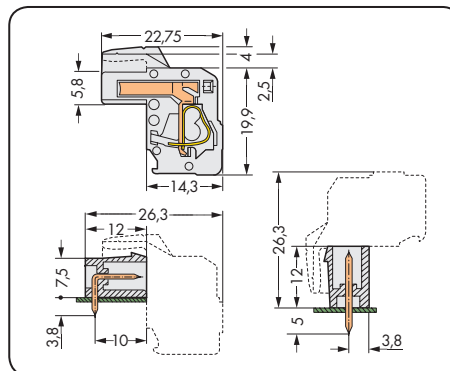
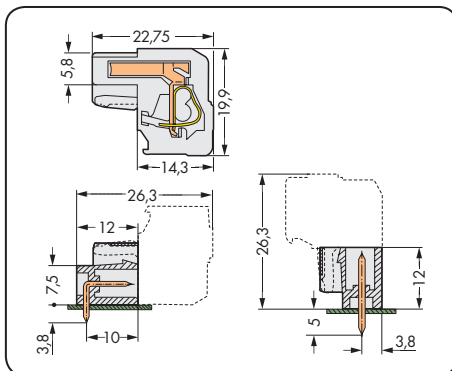


Female Connectors MCS-MIDI

Angled, conductor entry same direction as latches Pin spacing 5 mm / 0.197 in		Angled, conductor entry opposite of latches Pin spacing 5 mm / 0.197 in	
0.08 - 2.5 mm ²	AWG 28 - 12	0.08 - 2.5 mm ²	AWG 28 - 12
320 V/4 kV/2 14 A	300 V/15 A	320 V/4 kV/2 14 A	300 V/15 A



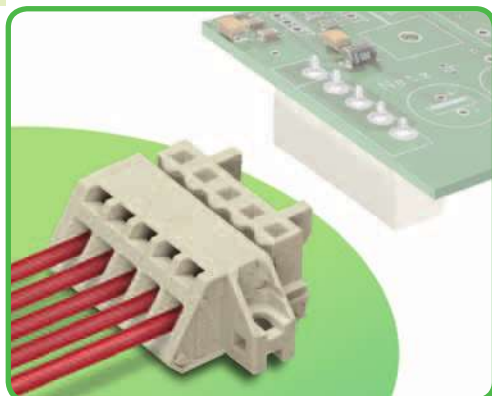
Total length = (pole no. x pin spacing) + 1.5 mm + 0.9 mm

Pole No.	Item No.	Pack. Unit	Pole No.	Item No.	Pack. Unit
Angled female connector, conductor entry same direction as latches, light gray			Angled female connector, conductor entry opposite of latches, light gray		
2	722-202/026-000	100	2	722-102/026-000	100
3	722-203/026-000	100	3	722-103/026-000	100
4	722-204/026-000	100	4	722-104/026-000	100
5	722-205/026-000	100	5	722-105/026-000	100
6	722-206/026-000	50	6	722-106/026-000	50
7	722-207/026-000	50	7	722-107/026-000	50
8	722-208/026-000	50	8	722-108/026-000	50
9	722-209/026-000	50	9	722-109/026-000	50
10	722-210/026-000	50	10	722-110/026-000	50
11	722-211/026-000	25	11	722-111/026-000	25
12	722-212/026-000	25	12	722-112/026-000	25
13	722-213/026-000	25			
14	722-214/026-000	25	14	722-114/026-000	25
15	722-215/026-000	25			
16	722-216/026-000	25	16	722-116/026-000	25
20	722-220/026-000	10	20	722-120/026-000	10
2-pole female connectors - one latch only					

Angled Female Connectors for Panel Mounting

Pin Spacing 5 mm

MCS-MIDI



- Universal connection for all conductor types
- Versions available with snap-in mounting feet or fixing flanges for panel or through-panel mounting
- Mounting adapter allows versions with snap-in mounting feet to be DIN-rail mounted
- Easy conductor termination, even when halves are mated
- 100% protected against mismating

Technical data:

Pin Spacing	5 mm 0.197 in		
Rating per	IEC/EN 60664-1		
Overtoltage category	III	III	II
Pollution degree	3	2	2
Rated voltage	320 V	320 V	630 V
Rated surge voltage	4 kV	4 kV	4 kV
Nominal current	12 A	12 A	12 A
Approvals per	UL/CSA		
Use group UL 1059	B	C	D
Rated voltage	300V	-	300V
Nominal current UL	15 A	-	10 A
Nominal current CSA	15 A	-	10 A

The MCS-MIDI connection system is UL 1977 approved and capable of up to 600 V for factory wiring.

Conductor data:

Connection technology	CAGE CLAMP®	
Conductor size: solid	0.08 - 2.5 mm ²	
Conductor size: fine-stranded	0.08 - 2.5 mm ²	
Conductor size: fine-stranded	0.25 - 1.5 mm ² (with insulated ferrule)	
Conductor size: fine-stranded	0.25 - 2.5 mm ² (with uninsulated ferrule)	
AWG	28 - 12	12: THHN, THWN
Strip length	7 - 8 mm / 0.28 - 0.31 in	

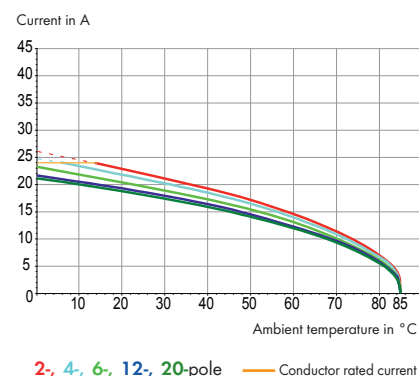
Material data:

Material group	I
Insulating material	Nylon 6.6 (PA 6.6)
Flammability rating per UL 94	V0
Lower/Upper temperature limit	-60°C / +85°C
Clamping spring material	Chrome-nickel spring steel (CrNi)
Contact material	Copper alloy
Contact plating	tin-plated
MCS connectors are also available upon request with gold-plated or partially gold-plated contact surfaces.	
Depending on the version requested, "item no. suffix ... /010-000" is added to the "basic item no."	

MCS - MULTI CONNECTION SYSTEM includes connectors **without** breaking capacity in accordance with IEC 61984. When used as intended, these connectors shall not be connected/disconnected when live or under load. The circuit design should ensure header pins, which can be touched, are not live in unmated condition.

Derating Curve

721-302/031-000 female connector
with 721-162/001-000 male connector
Pin spacing: 5 mm / Conductor size: 2.5 mm² "F-st"
Based on: EN 60512-5-2 / Reduction factor: 0.8



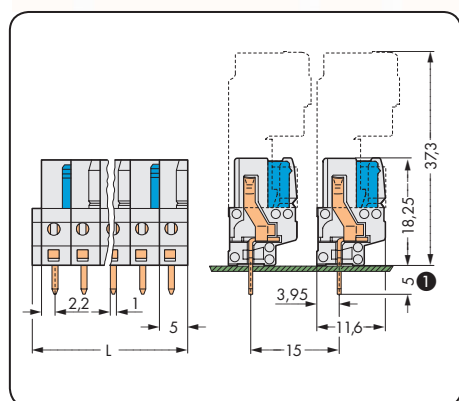
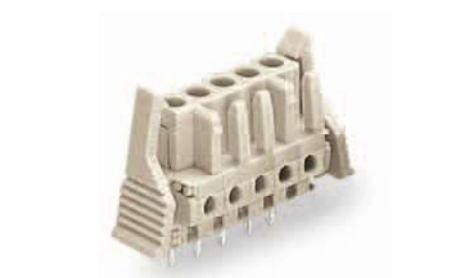
MCS-MIDI accessories:

Page:

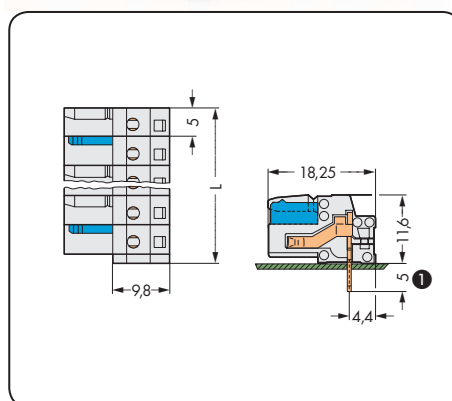
Marking accessories	540 - 543
Operating tools	466 - 467
Direct marking	358 - 360
Test plug adapter	474
Screws	564

Female Headers with Solder Pins MCS-MIDI

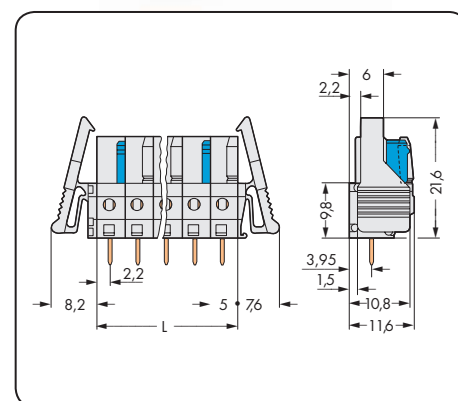
With straight solder pins Pin spacing 5 mm / 0.197 in		With angled solder pins Pin spacing 5 mm / 0.197 in		With straight solder pins and locking levers Pin spacing 5 mm / 0.197 in	
320 V/4 kV/2 12 A	300 V/15 A	320 V/4 kV/2 12 A	300 V/15 A	320 V/4 kV/2 12 A	300 V/15 A



L = (pole no. x pin spacing) + 1.5 mm



L = (pole no. x pin spacing) + 1.5 mm



L = pole no. x pin spacing

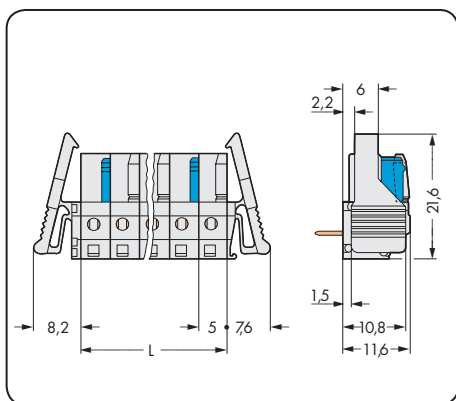
Pole No.	Item No.	Pack. Unit	Pole No.	Item No.	Pack. Unit	Pole No.	Item No.	Pack. Unit
Female header with straight solder pins, light gray			Female header with angled solder pins, light gray			Female header with straight solder pins and locking levers, light gray		
2	722-132	100	2	722-232	100	2	722-132/039-000	100
3	722-133	100	3	722-233	100	3	722-133/039-000	50
4	722-134	100	4	722-234	100	4	722-134/039-000	50
5	722-135	100	5	722-235	100	5	722-135/039-000	50
6	722-136	50	6	722-236	50	6	722-136/039-000	50
7	722-137	50	7	722-237	50	7	722-137/039-000	50
8	722-138	50	8	722-238	50	8	722-138/039-000	50
9	722-139	50	9	722-239	50	9	722-139/039-000	25
10	722-140	50	10	722-240	50	10	722-140/039-000	25
11	722-141	25	11	722-241	25	11	722-141/039-000	25
12	722-142	25	12	722-242	25	12	722-142/039-000	25
13	722-143	25	13	722-243	25	13	722-143/039-000	25
14	722-144	25	14	722-244	25	14	722-144/039-000	25
15	722-145	25	15	722-245	25	15	722-145/039-000	25
16	722-146	25	16	722-246	25	16	722-146/039-000	10
20	722-150	10	20	722-250	10	20	722-150/039-000	10
2-pole female headers - one latch only								

① MCS-MIDI female headers with solder pins are also available with 3.8 mm pin projection. Add or insert item no. suffix .../045-000.

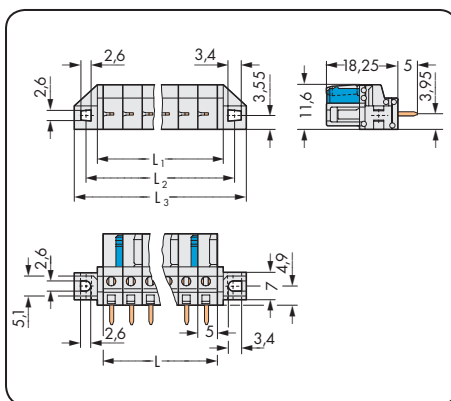
5 Female Headers with Solder Pins MCS-MIDI

326

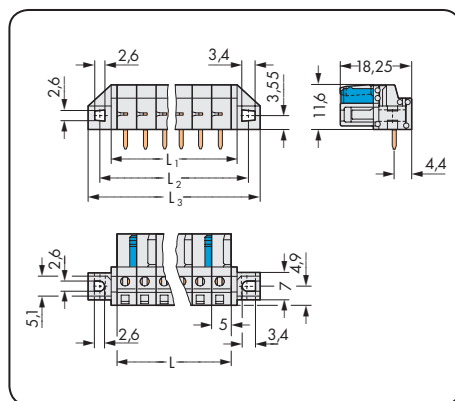
With angled solder pins and locking levers Pin spacing 5 mm / 0.197 in		With straight solder pins and fixing flanges Pin spacing 5 mm / 0.197 in		With angled solder pins and fixing flanges Pin spacing 5 mm / 0.197 in	
320 V/4 kV/2 12 A	300 V/15 A	320 V/4 kV/2 12 A	300 V/15 A	320 V/4 kV/2 12 A	300 V/15 A



L = pole no. x pin spacing



L = pole no. x pin spacing
 $L_1 = L + 3 \text{ mm}$
 $L_2 = L + 8.8 \text{ mm}$
 $L_3 = L + 14.8 \text{ mm}$

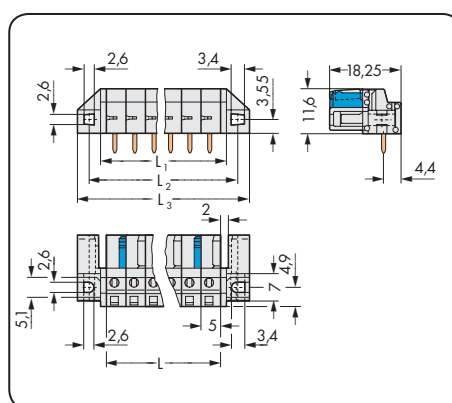
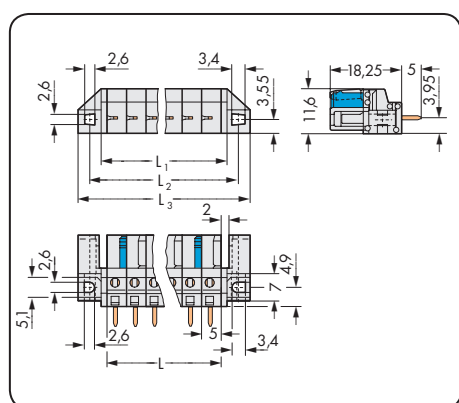
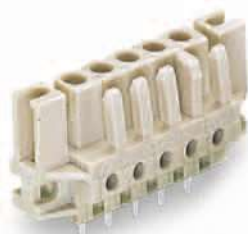


L = pole no. x pin spacing
 $L_1 = L + 3 \text{ mm}$
 $L_2 = L + 8.8 \text{ mm}$
 $L_3 = L + 14.8 \text{ mm}$

Pole No.	Item No.	Pack. Unit	Pole No.	Item No.	Pack. Unit	Pole No.	Item No.	Pack. Unit
Female header with angled solder pins and locking levers, light gray			Female header with straight solder pins and fixing flanges, for through-panel mounting, light gray			Female header with angled solder pins and fixing flanges, for through-panel mounting, light gray		
2	722-232/039-000	100	2	722-132/031-000	100	2	722-232/031-000	100
3	722-233/039-000	50	3	722-133/031-000	50	3	722-233/031-000	50
4	722-234/039-000	50	4	722-134/031-000	50	4	722-234/031-000	50
5	722-235/039-000	50	5	722-135/031-000	50	5	722-235/031-000	50
6	722-236/039-000	50	6	722-136/031-000	50	6	722-236/031-000	50
7	722-237/039-000	50	7	722-137/031-000	50	7	722-237/031-000	50
8	722-238/039-000	50	8	722-138/031-000	50	8	722-238/031-000	50
9	722-239/039-000	25	9	722-139/031-000	25	9	722-239/031-000	25
10	722-240/039-000	25	10	722-140/031-000	25	10	722-240/031-000	25
11	722-241/039-000	25	11	722-141/031-000	25	11	722-241/031-000	25
12	722-242/039-000	25	12	722-142/031-000	25	12	722-242/031-000	25
13	722-243/039-000	25	13	722-143/031-000	25	13	722-243/031-000	25
14	722-244/039-000	25	14	722-144/031-000	25	14	722-244/031-000	25
15	722-245/039-000	25	15	722-145/031-000	25	15	722-245/031-000	25
16	722-246/039-000	10	16	722-146/031-000	10	16	722-246/031-000	10
20	722-250/039-000	10	20	722-150/031-000	10	20	722-250/031-000	10
For cutout dimensions, see page 486, table 3.								
2-pole female headers - one latch only								

Female Headers with Solder Pins MCS-MIDI

With straight solder pins and spacers Pin spacing 5 mm / 0.197 in		With angled solder pins and spacers Pin spacing 5 mm / 0.197 in	
320 V/4 kV/2 12 A	300 V/15 A	320 V/4 kV/2 12 A	300 V/15 A



L = pole no. x pin spacing
 $L_1 = L + 3$ mm
 $L_2 = L + 8.8$ mm
 $L_3 = L + 14.8$ mm

Pole No.	Item No.	Pack. Unit	Pole No.	Item No.	Pack. Unit
Female header with straight solder pins and spacers, for flush panel mounting, light gray			Female header with angled solder pins and spacers, for flush panel mounting, light gray		
2	722-132/047-000	100	2	722-232/047-000	100
3	722-133/047-000	50	3	722-233/047-000	50
4	722-134/047-000	50	4	722-234/047-000	50
5	722-135/047-000	50	5	722-235/047-000	50
6	722-136/047-000	50	6	722-236/047-000	50
7	722-137/047-000	50	7	722-237/047-000	50
8	722-138/047-000	50	8	722-238/047-000	50
9	722-139/047-000	25	9	722-239/047-000	25
10	722-140/047-000	25	10	722-240/047-000	25
11	722-141/047-000	25	11	722-241/047-000	25
12	722-142/047-000	25	12	722-242/047-000	25
13	722-143/047-000	25	13	722-243/047-000	25
14	722-144/047-000	25	14	722-244/047-000	25
15	722-145/047-000	25	15	722-245/047-000	25
16	722-146/047-000	10	16	722-246/047-000	10
20	722-150/047-000	10	20	722-250/047-000	10
For cutout dimensions, see page 486, table 3.					
2-pole female headers - one latch only					