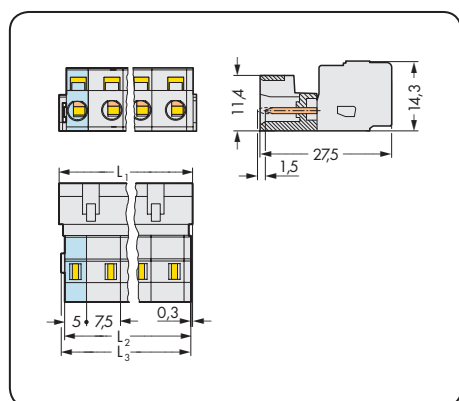
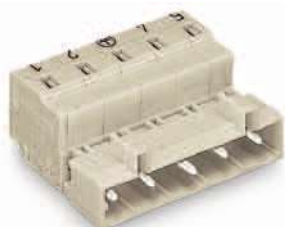
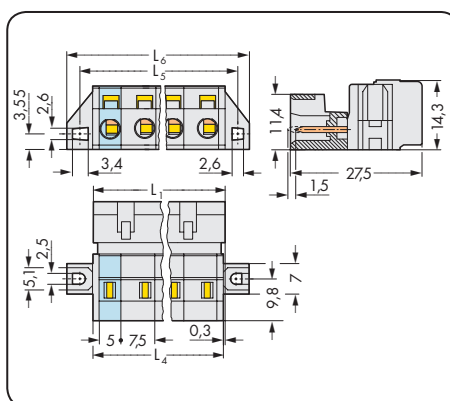


Male Connectors MCS-MIDI

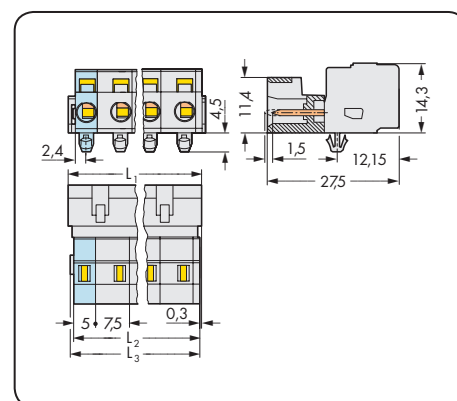
Pin spacing 7.5 mm / 0.295 in		With fixing flanges Pin spacing 7.5 mm / 0.295 in		With snap-in mounting feet Pin spacing 7.5 mm / 0.295 in	
0.08 - 2.5 mm ²	AWG 28 - 12	0.08 - 2.5 mm ²	AWG 28 - 12	0.08 - 2.5 mm ²	AWG 28 - 12
630 V/6 kV/2 12A	300 V/ 15 A	630 V/6 kV/2 12A	300 V/ 15 A	630 V/6 kV/2 12A	300 V/ 15 A



$L_1 = (\text{pole no.} - 1) \times \text{pin spacing} + 8.2 \text{ mm}$
 $L_2 = L_1 - 1.7 \text{ mm}$
 $L_3 = L_1 - 1.2 \text{ mm}$



$L_1 = (\text{pole no.} - 1) \times \text{pin spacing} + 8.2 \text{ mm}$
 $L_4 = L_1 - 0.2 \text{ mm}$
 $L_5 = L_4 + 5.8 \text{ mm}$
 $L_6 = L_4 + 11.8 \text{ mm}$

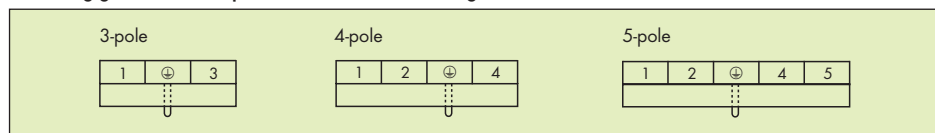


$L_1 = (\text{pole no.} - 1) \times \text{pin spacing} + 8.2 \text{ mm}$
 $L_2 = L_1 - 1.7 \text{ mm}$
 $L_3 = L_1 - 1.2 \text{ mm}$

Pole No.	Item No.	Item No.	Pack. Unit	Pole No.	Item No.	Item No.	Pack. Unit	Pole No.	Item No.	Item No.	Pack. Unit
Male connector, light gray				Male connector with fixing flanges, light gray				Male connector with snap-in mounting feet, for 0.6 - 1.2 mm plate thickness, Ø 3.5 mm mounting holes, light gray			
	without preceding ground contact	with preceding ground contact and printing			without preceding ground contact	with preceding ground contact and printing			without preceding ground contact	with preceding ground contact and printing	
2	723-602		100	2	723-602/019-000		50	2	723-602/018-000		100
3	723-603	723-603/000-042	100	3	723-603/019-000	723-603/019-042	50	3	723-603/018-000	723-603/018-042	100
4	723-604	723-604/000-042	50	4	723-604/019-000	723-604/019-042	50	4	723-604/018-000	723-604/018-042	50
5	723-605	723-605/000-042	50	5	723-605/019-000	723-605/019-042	50	5	723-605/018-000	723-605/018-042	50
6	723-606		50	6	723-606/019-000		25	6	723-606/018-000		50
7	723-607		50	7	723-607/019-000		25	7	723-607/018-000		50
8	723-608		25	8	723-608/019-000		25	8	723-608/018-000		25
9	723-609		25	9	723-609/019-000		25	9	723-609/018-000		25
10	723-610		25	10	723-610/019-000		25	10	723-610/018-000		25
11	723-611		25	11	723-611/019-000		10	11	723-611/018-000		25
12	723-612		25	12	723-612/019-000		10	12	723-612/018-000		25
For cutout dimensions, see page 484, table 1.											

Product Accessories	Page
Mounting adapter for DIN 35 rail, min. length 3 poles (209-137)	475

Preceding ground contact position and on-unit markings:

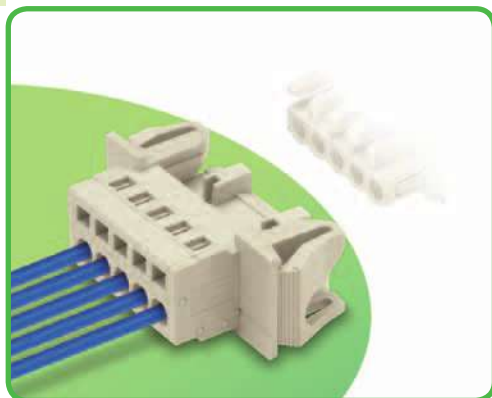


5 Male Connectors with Snap-In Flanges

Pin Spacing 7.5 mm

MCS-MIDI

352



- Universal connection for all conductor types
- Easy cable pre-assembly and on-unit wiring via vertical and horizontal CAGE CLAMP® actuation
- For “wire-to-wire” and “board-to-wire” connections
- Versions available with snap-in flanges for through-panel mounting
- Optional, preceding ground contact available for 3- to 5-pole male connectors
- 100% protected against mismatching
- With coding keys

Technical data:

Pin Spacing	5 mm 0.197 in			7,5 mm 0.295 in		
	IEC/EN 60664-1			IEC/EN 60664-1		
Rating per	III	III	II	III	III	II
Overtoltage category	3	2	2	3	2	2
Pollution degree	3	2	2	3	2	2
Rated voltage	320 V	320 V	630 V	500 V	630 V	1000 V
Rated surge voltage	4 kV	4 kV	4 kV	6 kV	6 kV	6 kV
Nominal current	12 A	12 A	12 A	12 A	12 A	12 A
Approvals per	UL/CSA			UL/CSA		
Use group UL 1059	B	C	D	B	C	D
Rated voltage	300 V	-	300 V	300 V	-	300 V
Nominal current UL	15 A	-	10 A	15 A	-	10 A
Nominal current CSA	15 A	-	10 A	15 A	-	10 A

The MCS-MIDI connection system is UL 1977 approved and capable of up to 600 V for factory wiring.

Conductor data:

Connection technology	CAGE CLAMP®
Conductor size: solid	0.08 - 2.5 mm ²
Conductor size: fine-stranded	0.08 - 2.5 mm ²
Conductor size: fine-stranded	0.25 - 1.5 mm ² (with insulated ferrule)
Conductor size: fine-stranded	0.25 - 2.5 mm ² (with uninsulated ferrule)
AWG	28 - 12 12: THHN, THWN
Strip length	8 - 9 mm / 0.31 - 0.35 in

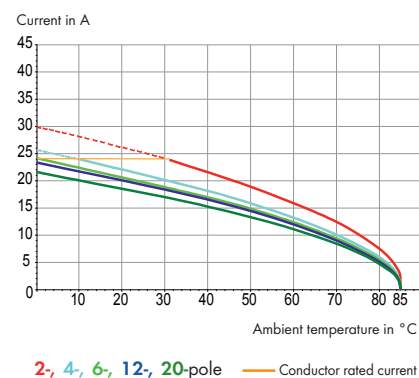
Material data:

Material group	I
Insulating material	Nylon 6.6 (PA 6.6)
Flammability rating per UL 94	V0
Lower/Upper temperature limit	-60°C / +100°C
Clamping spring material	Chrome-nickel spring steel (CrNi)
Contact material	Electrolytic copper (E _{cu})
Contact plating	tin-plated
MCS connectors are also available upon request with gold-plated or partially gold-plated contact surfaces.	
Depending on the version requested, “item no. suffix . . . /010-000” is added to the “basic item no.”	

MCS - MULTI CONNECTION SYSTEM includes connectors **without** breaking capacity in accordance with IEC 61984. When used as intended, these connectors shall not be connected/disconnected when live or under load. The circuit design should ensure header pins, which can be touched, are not live in unmated condition.

Derating Curve

721-102/026-000 female connector
with 721-602 male connector
Pin spacing: 5 mm / Conductor size: 2.5 mm² “F-st”
Based on: EN 60512-5-2 / Reduction factor: 0.8



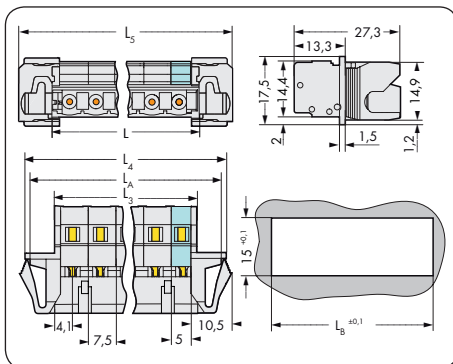
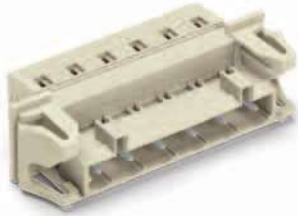
MCS-MIDI accessories:

Page:

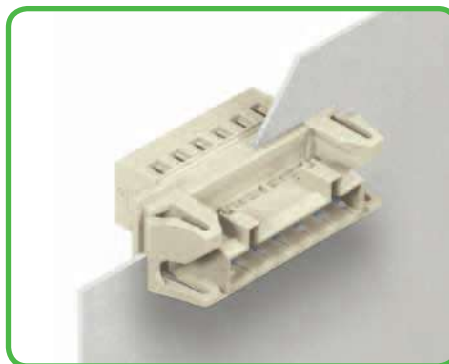
Marking accessories	540 - 543
Operating tools	466 - 467
Direct marking	358 - 360
Insulation stop	469
Coding keys	468
Strain relief housings	472 - 473
Strain relief plates	470 - 471

Male Connectors with Snap-In Flanges MCS-MIDI

With snap-in flanges Pin spacing 7.5 mm / 0.295 in	
0.08 - 2.5 mm ² 630 V/6 kV/2 12A	AWG 28 - 12 300 V/ 15 A



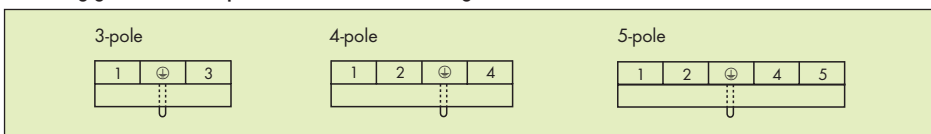
$L = (\text{pole no.} - 1) \times \text{pin spacing} + 8.2 \text{ mm}$
 $L_3 = L - 0.2 \text{ mm}$
 $L_4 = L_3 + 15.2 \text{ mm}$
 $L_5 = L_3 + 18 \text{ mm}$
 $L_A = L_3 + 12.6 \text{ mm}$
 $L_B = L_3 + 13.2 \text{ mm}$



Male connectors with snap-in flanges for feedthrough applications, for 0.5 - 2.5 mm plate thickness

Pole No.	Item No.	Item No.	Pack. Unit
Male connector with snap-in flanges, light gray			
	without preceding ground contact	with preceding ground contact and printing	
2	723-602/114-000		50
3	723-603/114-000	723-603/114-042	50
4	723-604/114-000	723-604/114-042	50
5	723-605/114-000	723-605/114-042	25
6	723-606/114-000		25
7	723-607/114-000		25
8	723-608/114-000		25
9	723-609/114-000		25
10	723-610/114-000		10
11	723-611/114-000		10
12	723-612/114-000		10

Preceding ground contact position and on-unit markings:



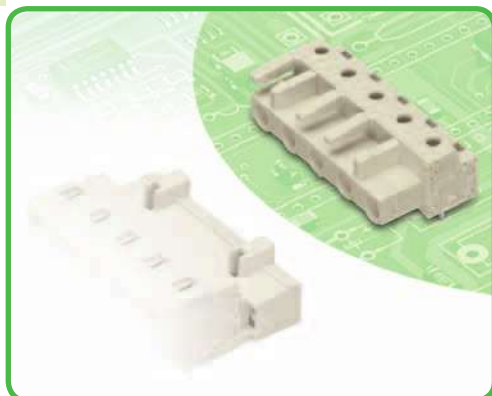
For other lengths, please contact factory.

5 Female Headers with Solder Pins

Pin Spacing 7.5 mm

MCS-MIDI

354



- Horizontal or vertical PCB mounting via straight and angled solder pins
- For “board-to-board” and “board-to-wire” connections
- Touch-proof PCB outputs
- Easy-to-identify PCB inputs and outputs
- 100% protected against mismatching
- With coding fingers

Technical data:

Pin Spacing	7.5 mm 0.295 in		
Rating per	IEC/EN 60664-1		
Overvoltage category	III	III	II
Pollution degree	3	2	2
Rated voltage	500 V	630 V	1000 V
Rated surge voltage	6 kV	6 kV	6 kV
Nominal current	12 A	12 A	12 A
Approvals per	UL/CSA		
Use group UL 1059	B	C	D
Rated voltage	300 V	-	300 V
Nominal current UL	15 A	-	10 A
Nominal current CSA	15 A	-	10 A

The MCS-MIDI connection system is UL 1977 approved and capable of up to 600 V for factory wiring.

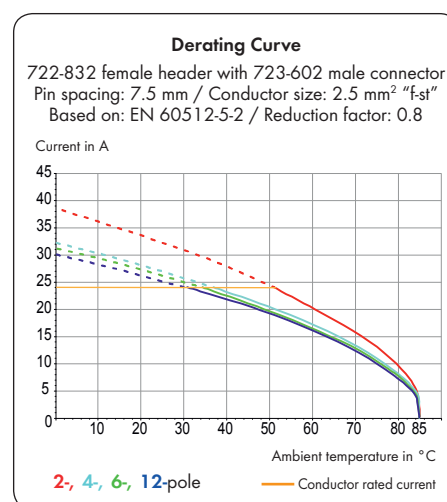
Solder pin data:

Solder pin: length/width	5 mm / 0.6 x 1 mm
Solder pin: drilled hole diameter	1.3 ^{+0.1} mm

Material data:

Material group	I
Insulating material	Nylon 6.6 (PA 6.6)
Flammability rating per UL 94	V0
Lower/Upper temperature limit	-60°C / +85°C
Contact material	Copper alloy
Contact plating	tin-plated

MCS - MULTI CONNECTION SYSTEM includes connectors **without** breaking capacity in accordance with IEC 61984. When used as intended, these connectors shall not be connected/disconnected when live or under load. The circuit design should ensure header pins, which can be touched, are not live in unmated condition.



MCS-MIDI accessories:

Page:

Marking accessories	540 - 543
Test plug adapter	474
Test plugs	538