

MODBUS Fieldbus Coupler

RS-485; 150 baud ... 115.2 Kbaud; digital and analog signals

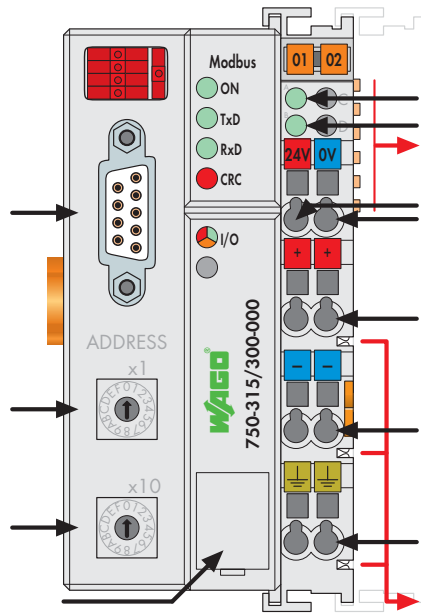


Fieldbus connection D-Sub

Address

Address

Configuration interface



Status voltage supply
-System
-Power jumper contacts

Data contacts

Supply
24 V
0 V

Supply via power jumper contacts
24 V

0 V


⊥

Power jumper contacts

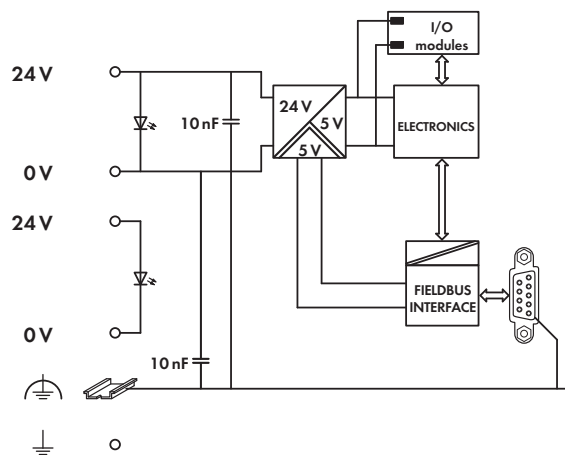
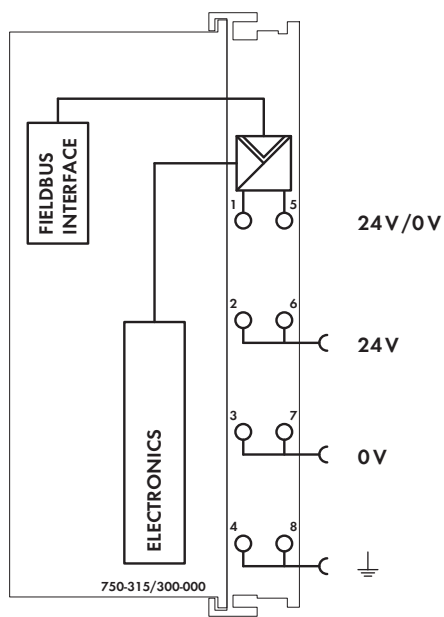
This buscoupler connects the WAGO-I/O-SYSTEM as a slave to the MODBUS fieldbus.

The buscoupler automatically configures, creating a local process image which may include analog, digital or specialty modules. Analog and specialty module data is sent via words and/or bytes, digital data is sent bit by bit.

The data of the analog modules is stored in the process image, which is created automatically according to the order in which the modules are connected to the buscoupler. The bits of the digital modules are sent byte by byte and added to the analog data. If the amount of digital information exceeds 8 bits, the buscoupler automatically starts with a new byte.

Description	Item No.	Pack. Unit
MODBUS / RS-485 / 150 Bd ... 115.2 kBd	750-315/300-000	1
Accessories		
Miniature WSB Quick marking system		
 plain	248-501	5
with marking	see Section 11	
Approvals		
Conformity marking	CE	
Marine applications	BV, DNV, GL, KR, NKK, PRS, RINA	
UL 508		
ANSI/ISA 12.12.01	Class I, Div. 2, Grp. ABCD, T4	
TÜV 07 ATEX 554086 X	I M2 Ex d I Mb, II 3 G Ex nA IIC T4 Gc, II 3 D Ex tc IIIC T135°C Dc	
Permissible ambient temperature	0 °C ... +60 °C	
IECEx TUN 09.0001 X	Ex d I Mb, Ex nA IIC T4 Gc, Ex tc IIIC T135°C Dc	
Permissible ambient temperature	0 °C ... +60 °C	

System Data	
No. of couplers connected to Master	247 with repeater
Max. no. of I/O points	approx. 6000 (depends on master)
Transmission medium	Shielded Cu cable 2 (4) x 0.25 mm ²
Max. length of fieldbus segment	1200 m (depends on baud rate/cable)
Baud rate	150 baud ... 115.2 Kbaud
Buscoupler connection	1 x D-Sub 9; socket



Technical Data

Number of I/O modules	64
Max. input process image	512 bytes
Max. output process image	512 bytes
Configuration	Via PC or rotary encoder switch
Power supply	24 V DC (-25 % ... +30 %)
Max. input current (24 V)	500 mA
Power supply efficiency	87 %
Internal current consumption (5 V)	350 mA
Total current for I/O modules (5 V)	1650 mA
Isolation	500 V system/supply
Voltage via power jumper contacts	24 V DC (-25 % ... +30 %)
Current via power jumper contacts (max.)	10 A DC

General Specifications

Operating temperature	0 °C ... +55 °C
Wire connection	CAGE CLAMP®
Cross sections	0.08 mm² ... 2.5 mm² / AWG 28 ... 14
Strip lengths	8 ... 9 mm / 0.33 in
Dimensions (mm) W x H x L	51 x 65 x 100
	Height from upper-edge of DIN 35 rail
Weight	183.2 g
Storage temperature	-25 °C ... +85 °C
Relative air humidity (no condensation)	95 %
Vibration resistance	acc. to IEC 60068-2-6
Shock resistance	acc. to IEC 60068-2-27
Degree of protection	IP20
EMC immunity of interference	acc. to EN 61000-6-2, marine applications
EMC emission of interference	acc. to EN 61000-6-4, marine applications