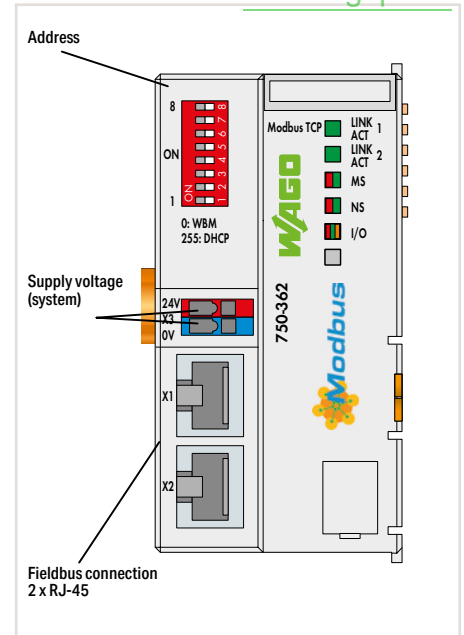
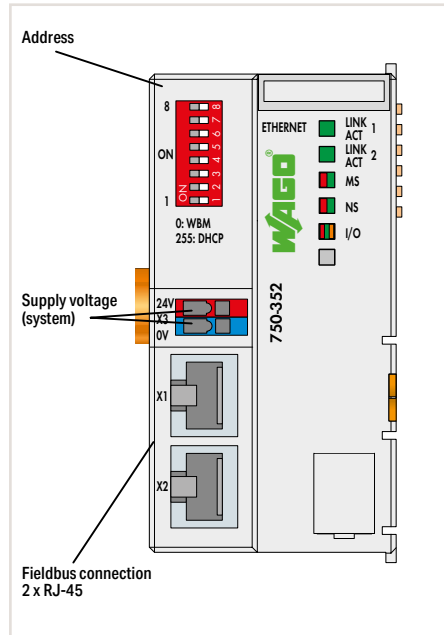


Fieldbus Coupler ETHERNET; Modbus TCP



Figure: 750-352



Item Description
Version
Item No.
Order Text

Fieldbus Coupler ETHERNET; 3rd generation	
Standard	Eco
750-352	750-352/000-001
FC ETHERNET; G3	FC ETHERNET; G3; Eco

Fieldbus Coupler Modbus TCP; 4th generation	
Standard	
750-362	
FC Modbus TCP; G4	

For new installations, please consider the 750-362 Fieldbus Coupler with extended functionality.

Technical Data	
Fieldbus	EtherNet/IP*; Modbus (TCP, UDP)
Protocols	HTTP; BootP; DHCP; DNS; FTP; SNMP
Connection technology: Fieldbus input/output	2 x RJ-45
Bus segment length (max.)	100 m
Baud rate	10/100 Mbit/s
Transmission medium	Twisted Pair S-UTP; 100 Ω; Cat. 5
Number of modules per node (max.)	250
Input and output (internal) process image (max.)	1020 words
Supply voltage (system)	24 VDC (-25 ... +30 %); via wiring interface
Input current (typ.) at nominal load (24 V)	280 mA
Current consumption – system supply (5 V)	450 mA
Total current (system supply)	700 mA
Surrounding air temperature (operation)	0 ... +55 °C
Dimensions W x H x D	49.5 x 71.9 x 96.8 mm
Approvals	CE; Marine; OrdLoc/HazLoc; ATEX/IECEx
Data sheet and further information, see:	wago.com/750-352

Technical Data	
Fieldbus	Modbus (TCP, UDP)
Protocols	HTTP(S), BootP, DHCP, DNS, (S)FTP, SNMP
Connection technology: Fieldbus input/output	RJ-45
Bus segment length (max.)	100 m
Baud rate	10/100 Mbit/s
Transmission medium	Twisted Pair S-UTP; 100 Ω; Cat. 5
Number of modules per node (max.)	250
Input and output (internal) process image (max.)	1020 words
Supply voltage (system)	24 VDC (-25 ... +30 %); via wiring interface
Input current (typ.) at nominal load (24 V)	280 mA
Current consumption – system supply (5 V)	350 mA
Total current (system supply)	700 mA
Surrounding air temperature (operation)	0 ... +55 °C
Dimensions W x H x D	49.5 x 71.9 x 96.8 mm
Approvals	CE; Marine; OrdLoc*/HazLoc; ATEX/IECEx
Data sheet and further information, see:	wago.com/750-362

*For variant 750-352/000-001, EtherNet/IP is activated as a standard protocol.

*Pending