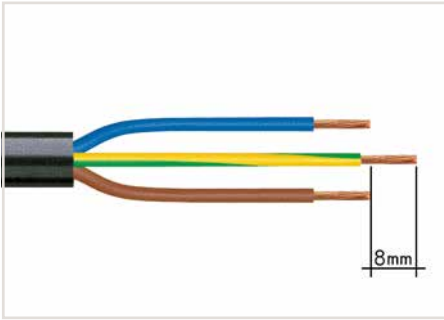


WINSTA® MINI

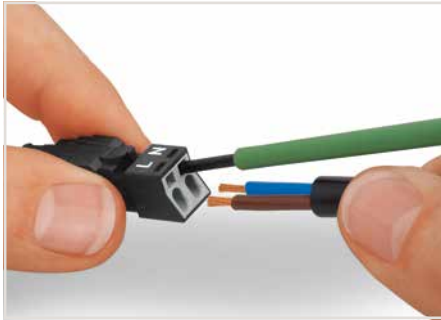
Installation

890 / 891 Series

1



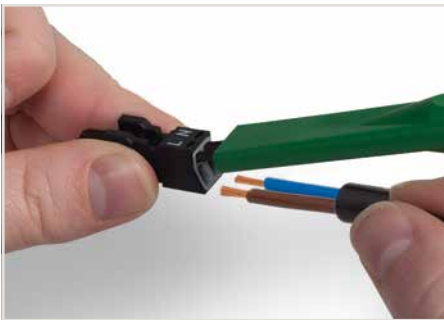
1. Strip length, outer insulation = x mm ❶
2. Strip length = 9 mm
3. Extended ground conductor = 8 mm



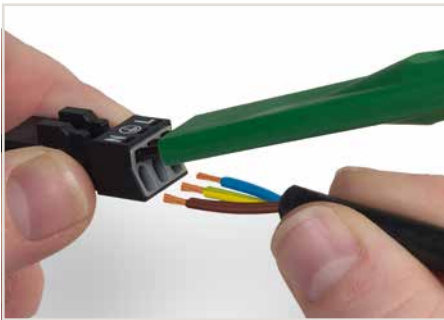
To terminate fine-stranded conductors, open the clamping unit via screwdriver (2.5 mm blade width) and insert a stripped conductor until it hits backstop. Terminate solid conductors by simply pushing them in.



Latch wired connector onto the base of the strain relief housing.



To terminate fine-stranded conductors, open clamping units via operating tool (890-382) and insert stripped conductors until they hit backstop. Terminate solid conductors by simply pushing them in.



To terminate fine-stranded conductors, open clamping units via operating tool (890-383) and insert stripped conductors until they hit backstop. Terminate solid conductors by simply pushing them in.



Connector with shield termination



Apply the shield to the rubber cable.
Strip length, outer insulation = 30 mm
Shield length = 8 mm



Push the shield connecting plate into the connector until fully inserted.

❶ Strip length, outer insulation: 2-pole = 30 mm, 3-pole = 37 mm, 4- and 5-pole = 45 mm



Push down strain relief clamp by hand.



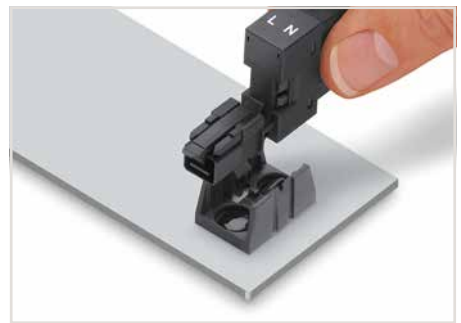
Push down strain relief clamp via 2.5 mm screwdriver alternately on both sides.



Latch the top of the strain relief housing.



Secure the mounting plate via pins.



The distribution connectors snap together when attached to the mounting plate.



First insert the wired connector into strain relief housing, then snap clamp and cover.



All connectors for mounted installations (snap-in versions, pluggable PCB connectors, distribution connectors) are factory-equipped with locking levers to ensure plugs and sockets are securely locked. Additional locking levers are only required for "flying leads" (plug/socket).



The printed marking of the connector is clearly visible in the openings of the strain relief housing.

WINSTA® MINI

Sockets and Plugs, 2-Pole

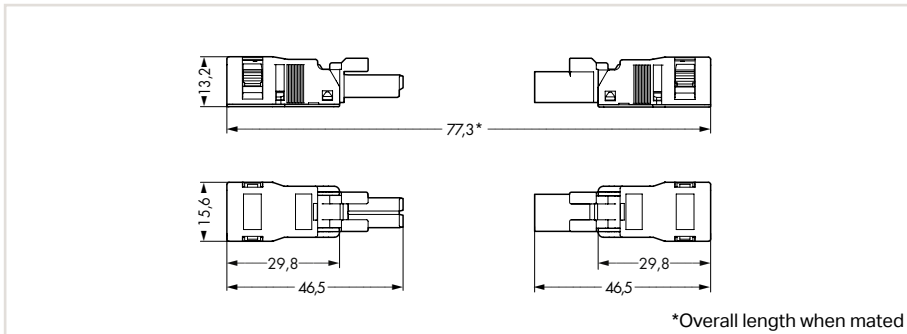
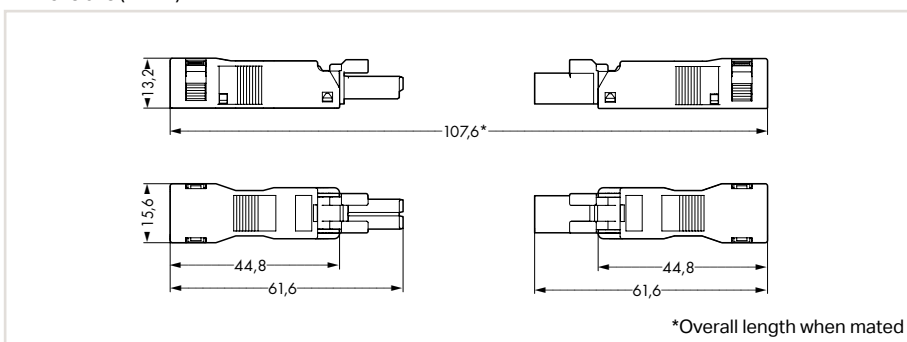
890 Series

1

Conductor range, solid and fine-stranded	0.25 ... 1.5 mm ² / 22 ... 16 AWG
Conductor range, stranded	0.25 ... 1 mm ² / 22 ... 18 AWG
Rated voltage	250 V
Rated current	16 A
Strip length	9 mm / 0.35 inch



Dimensions (in mm):



Socket, with strain relief housing, for 3.8 ... 8.2 mm cable diameter, 30 mm strip length		
Color	Item No.	Pack. Unit
● black	890-102	50
○ white	890-122	50

Plug, with strain relief housing, for 3.8 ... 8.2 mm cable diameter, 30 mm strip length		
Color	Item No.	Pack. Unit
● black	890-112	50
○ white	890-132	50

Socket, with short strain relief housing, for 3.8 ... 8.2 mm cable diameter, 17.5 mm strip length		
Color	Item No.	Pack. Unit
● black	890-202/342-000	50

Plug, with short strain relief housing, for 3.8 ... 8.2 mm cable diameter, 17.5 mm strip length		
Color	Item No.	Pack. Unit
● black	890-212/342-000	50

Note:
All connectors for fixed installations (snap-in versions for lighting fixtures or devices, all types of PCB and distribution connectors) are factory-equipped with locking levers to ensure plugs and sockets are securely locked. Additional locking levers are only required for "flying leads" (plug/socket).

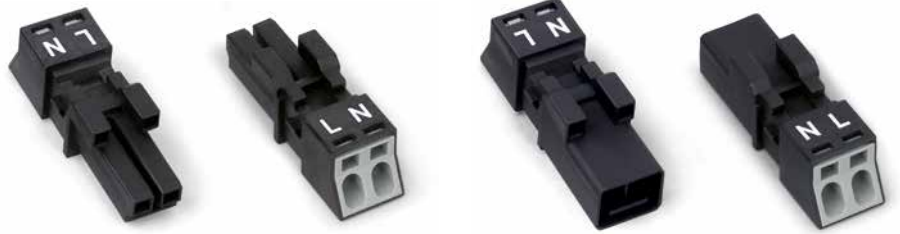
890 Series Accessories, see page 352

Approvals, see www.wago.com

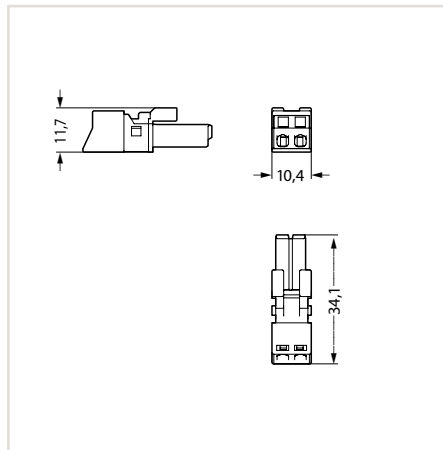
Coding overview, see page 372

Coding	Marking	Color
A	L N	● black
A	L N	○ white

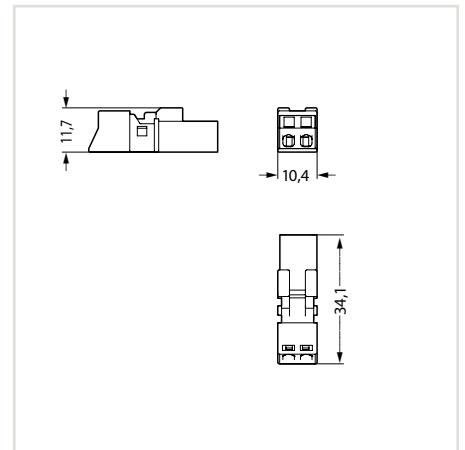
Conductor range, solid and fine-stranded	0.25 ... 1.5 mm ² / 22 ... 16 AWG
Conductor range, stranded	0.25 ... 1 mm ² / 22 ... 18 AWG
Rated voltage	250 V
Rated current	16 A
Strip length	9 mm / 0.35 inch



Dimensions (in mm):



Dimensions (in mm):


**Socket,
without strain relief housing**

Color	Item No.	Pack. Unit
● black	890-202	50
○ white	890-222	50
● blue	890-1102	50

**Plug,
without strain relief housing**

Color	Item No.	Pack. Unit
● black	890-212	50
○ white	890-232	50
● blue	890-1112	50

Coding	Marking	Color
A	L N	● black
A	L N	○ white
I	+ -	● blue

WINSTA® MINI

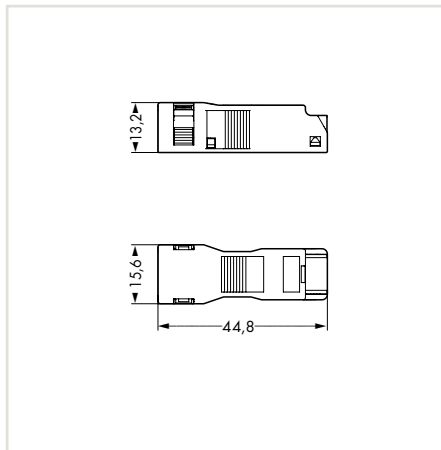
Strain Relief Housings, 2-Pole

890 Series

1



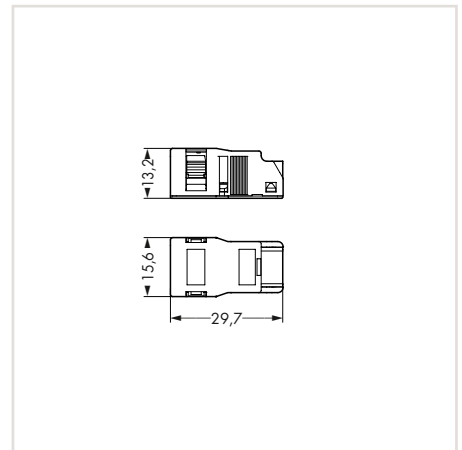
Dimensions (in mm):



Strain relief housing,
for 3.8 ... 8.2 mm cable diameter,
30 mm strip length

Color	Item No.	Pack. Unit
black	890-502	50
white	890-512	50

Dimensions (in mm):





Strain relief housing, short,
for 3.8 ... 8.2 mm cable diameter,
17.5 mm strip length


Color	Item No.	Pack. Unit
black	890-502/342-000	50
white	890-512/342-000	50

Note:

All connectors for fixed installations (snap-in versions for lighting fixtures or devices, all types of PCB and distribution connectors) are factory-equipped with locking levers to ensure plugs and sockets are securely locked. Additional locking levers are only required for "flying leads" (plug/socket).

 890 Series Accessories,
see page 352

 Approvals,
see www.wago.com

 Coding overview,
see page 372

WINSTA® MINI

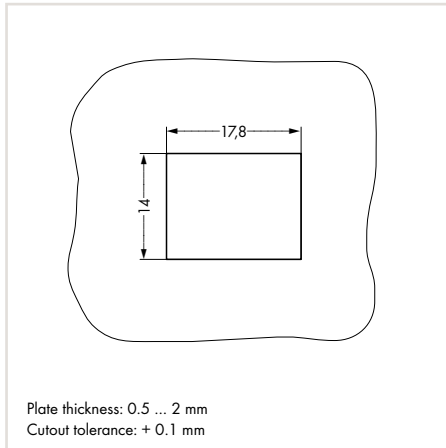
Snap-In Sockets and Plugs, 2-Pole

890 Series

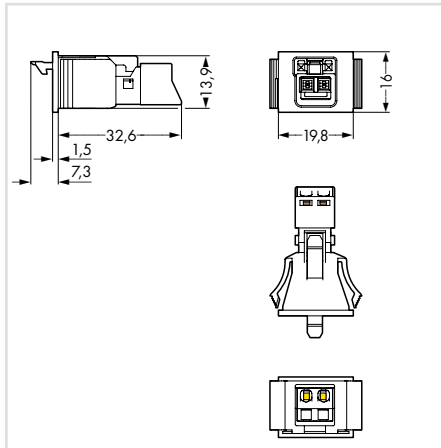
Conductor range, solid and fine-stranded	0.25 ... 1.5 mm ² / 22 ... 16 AWG
Conductor range, stranded	0.25 ... 1 mm ² / 22 ... 18 AWG
Rated voltage	250 V
Rated current	16 A
Strip length	9 mm / 0.35 inch



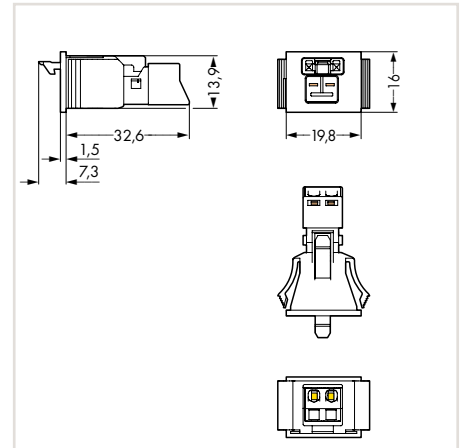
Dimensions (in mm):



Dimensions (in mm):



Dimensions (in mm):



Socket		
Color	Item No.	Pack. Unit
● black	890-702	50
○ white	890-722	50
● blue	890-2102	50

Plugs		
Color	Item No.	Pack. Unit
● black	890-712	50
○ white	890-732	50
● blue	890-2112	50

Coding	Marking	Color
A	L N	● black
A	L N	○ white
I	+ -	● blue